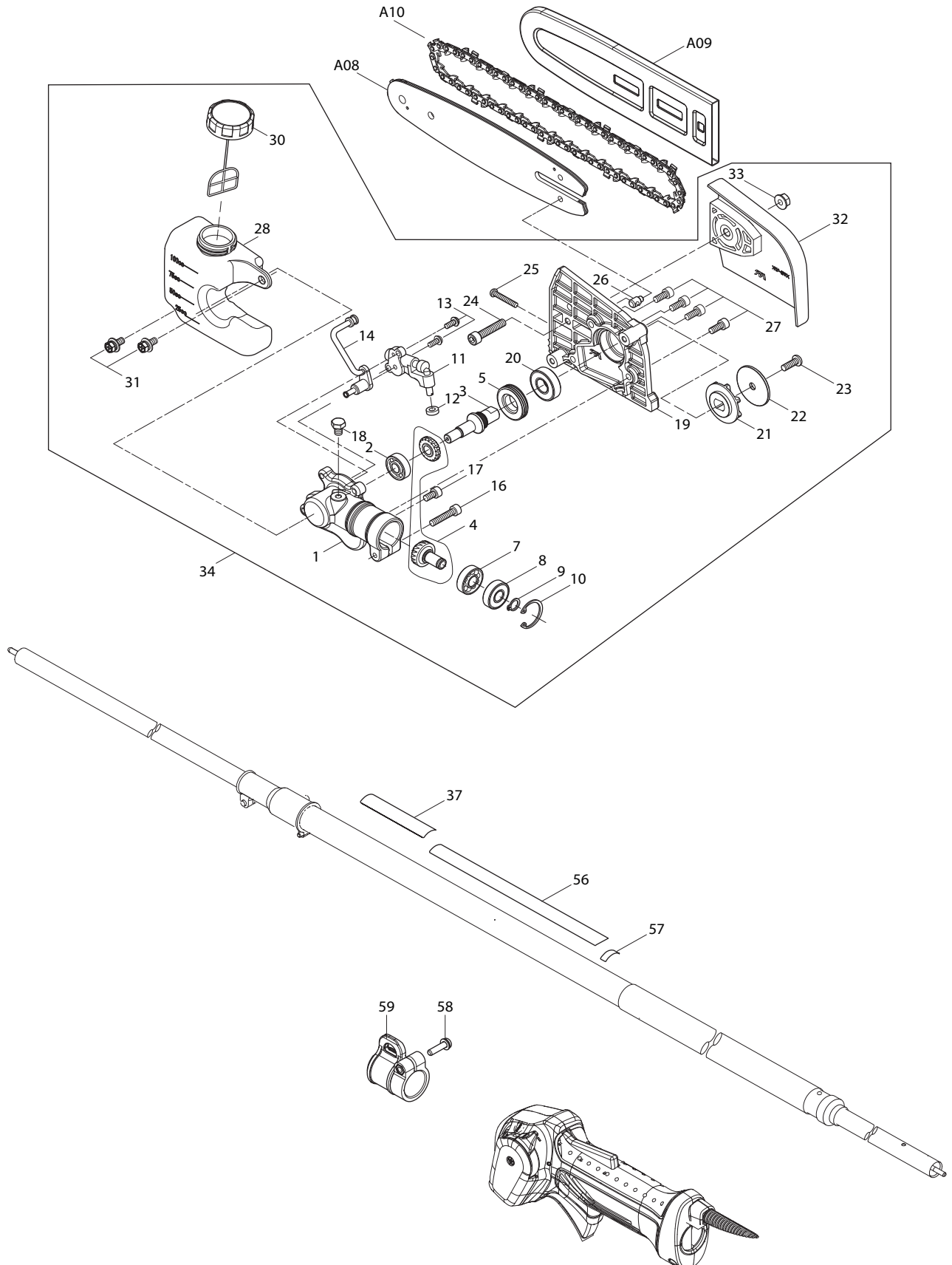
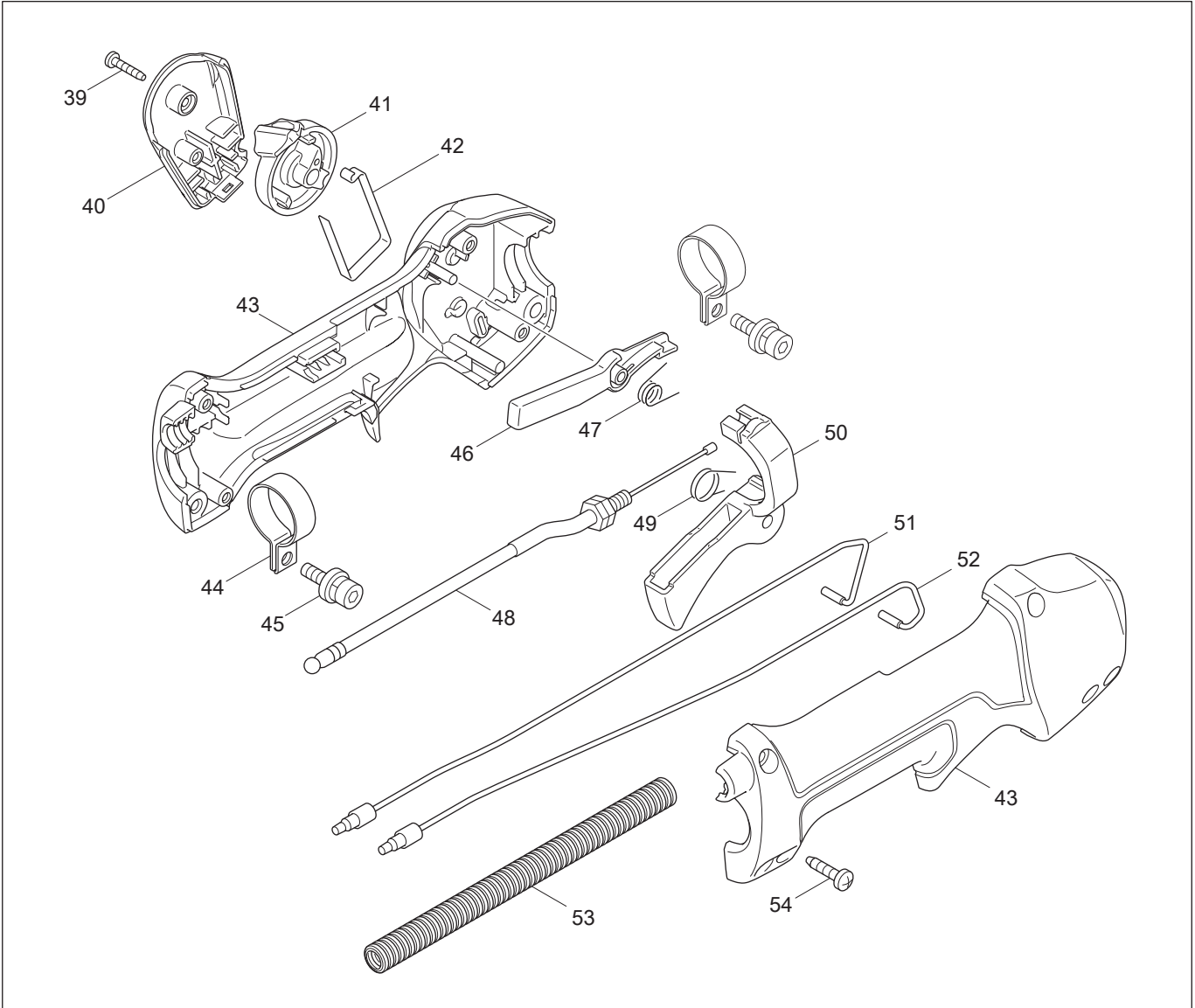


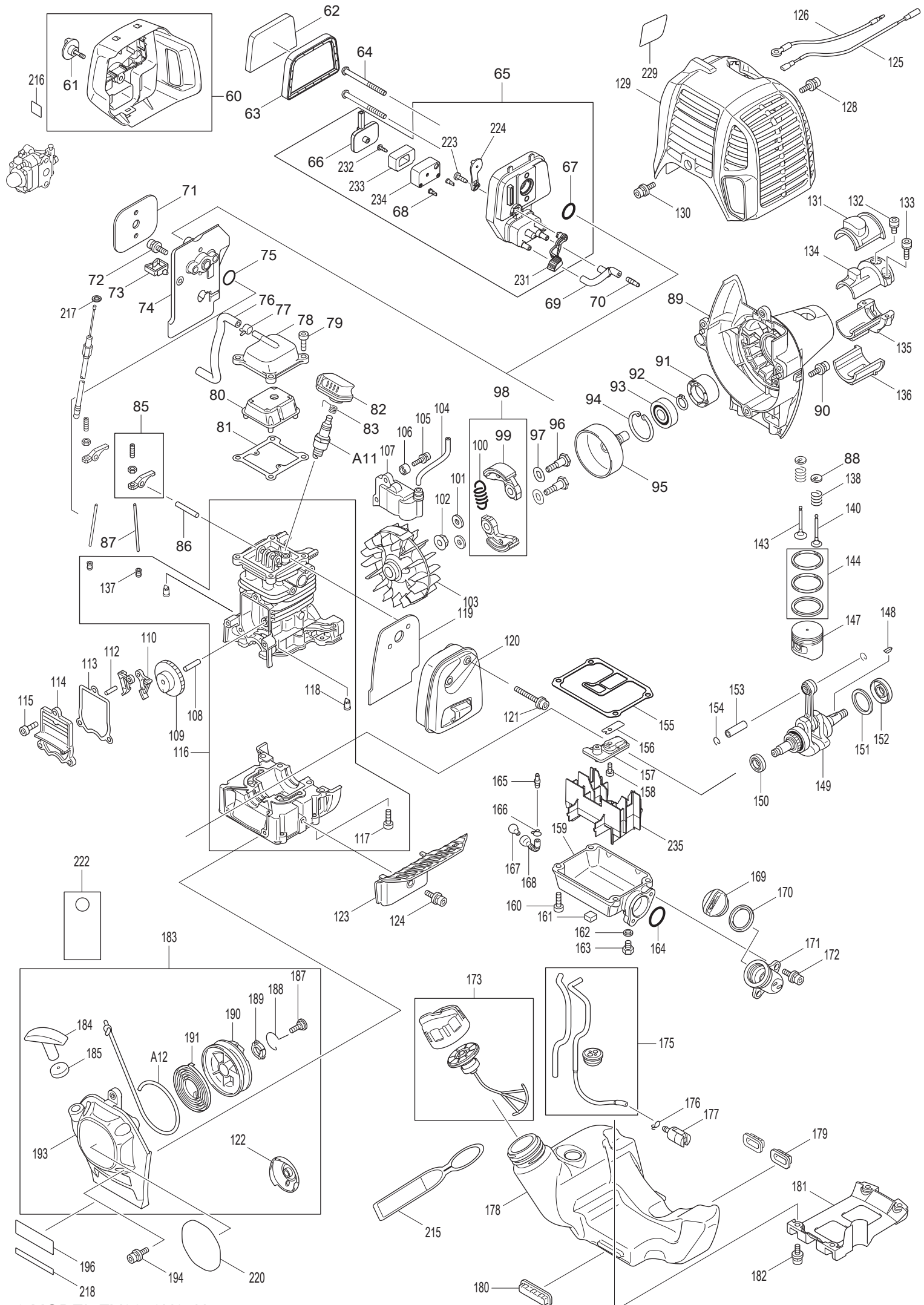


02 - 2014
EY2650H25H
25.4CC TELESCOPIC POLE SAW

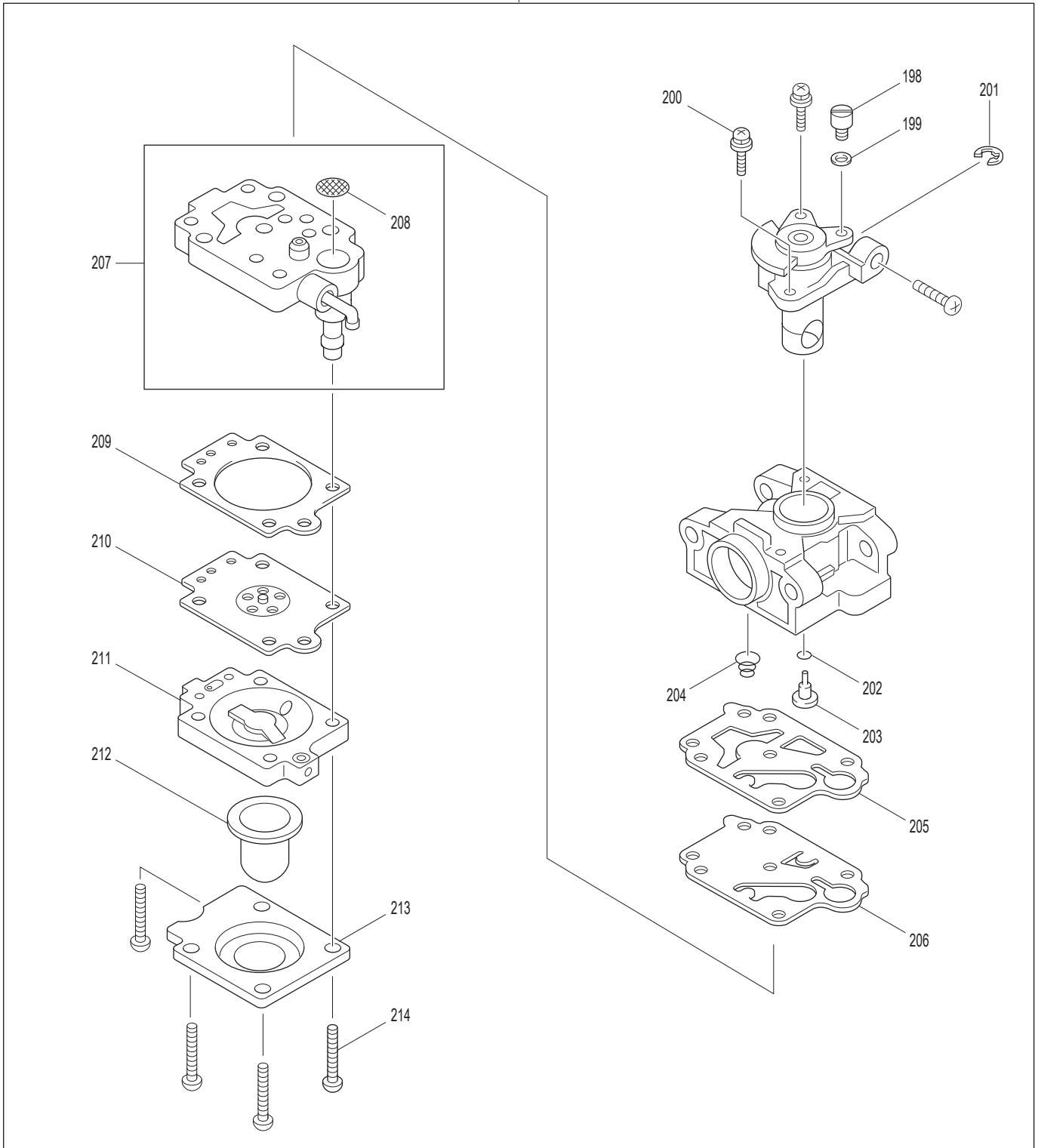


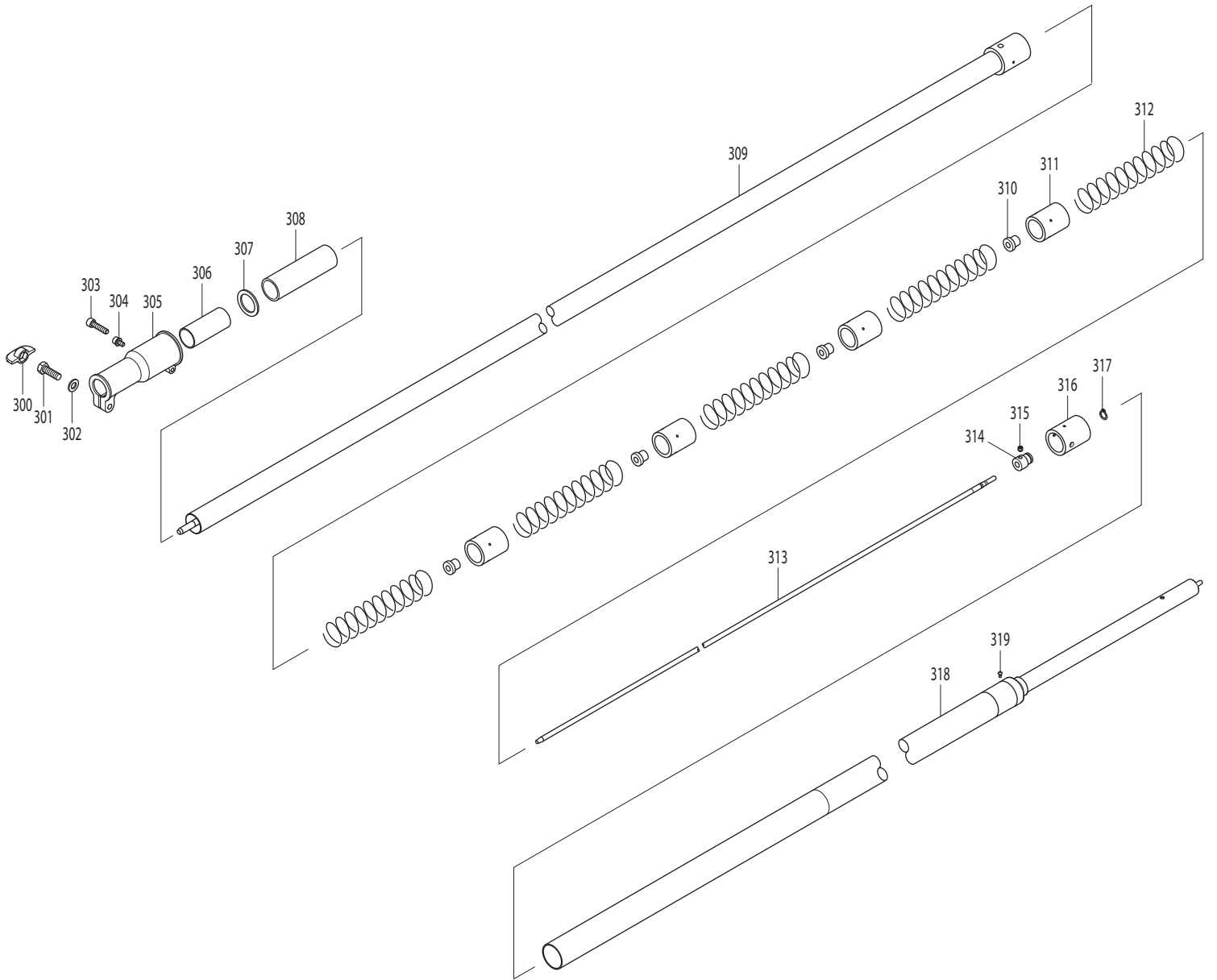


38



3 MODEL EY2650H25H





Item No	Type	Sub	Part No	Description	Qty	Unit
001	1		XTM0000001	GEAR CASE A	1	PC.
	2		XTM0000029	GEAR CASE A	1	PC.
002			XTM0000002	BALL BEARING 608	1	PC.
003	1		XTM0000003	GEAR SHAFT	1	PC.
	3		XTM0000030	GEAR SHAFT	1	PC.
004	2		XTM0000028	BEVEL GEAR SET	1	PC.
005			XTM0000005	WORM WHEEL	1	PC.
007			XTM0000006	BALL BEARING 609	1	PC.
008			XTM0000007	BALL BEARING 609Z	1	PC.
009			961005-4	RETAINING RING S-9	1	PC.
010			962103-7	RETAINING RING R-24	1	PC.
011	1		XTM0000008	OIL PUMP	1	PC.
011	2		XTM0000025	OIL PUMP	1	PC.
012			XTM0000009	SEAL	1	PC.
013			911111-5	PAN HEAD SCREW M4X10	2	PC.
014			XTM0000010	OIL PIPE ASS'Y	1	PC.
016			922242-5	HEX. SOCKET HEAD BOLT M5X25	1	PC.
017			922207-7	HEX. SOCKET HEAD BOLT M5X10	1	PC.
018			XTM0000011	HB BOLT 6X8	1	PC.
019	1		XTM0000012	* GEAR CASE B	1	PC.
	3		XTM0000027	* GEAR CASE B	1	PC.
020			XTM0000013	BALL BEARING 6001DDW	1	PC.
021			XTM0000014	SPROCKET	1	PC.
022	2		XTM0000031	SPEOCKET WASHER	1	PC.
023	2		XTM0000032	H.S. BOTTON HEAD SCREW M6X15	1	PC.
024			922352-8	HEX. SOCKET HEAD BOLT M6X30	1	PC.
025			XTM0000017	ADJUSTER SCREW M4X25	1	PC.
026			XTM0000018	ADJUSTER	1	PC.
027			922212-4	HEX. SOCKET HEAD BOLT M5X12	4	PC.
028			XTM0000019	OIL TANK ASS'Y	1	PC.
030			XTM0000020	TANK CAP ASS'Y	1	PC.
031			XTM0000021	H.S.H.BOLT M5X12SW	2	PC.
032			XTM0000022	CHAIN COVER	1	PC.
033			XTM0000023	FLANGE NUT M6	1	PC.
034	1		142615-8	POLE SAW HEAD COMPLETE	1	PC.
		INC.	803K89-1	INDICATION LABEL	1	PC.
		INC.		INC. 1-5,7-14,16-28,30-33		
	4		127300-4	POLE SAW HEAD ASSY	1	PC.
		INC.		Item No. 1-5,7-14,16-28,30-33		
037	2		808D12-9	MAKITA LOGO LABEL	1	PC.
038			126488-7	CONTROL LEVER ASSEMBLY	1	PC.
		INC.		INC. 39-54		
039			266130-9	TAPPING SCREW BIND PT 3X16	1	PC.
040			451595-0	SWITCH COVER	1	PC.
041			451594-2	SWITCH LEVER	1	PC.
042			232251-9	LEAF SPRING	1	PC.
043			188832-6	LEVER CASE SET	1	SET
044			346248-3	CLAMP 24	2	PC.
045			922218-2	H.S.H.BOLT M5X14 WITH WR	2	PC.
046			451593-4	LOCK LEVER	1	PC.
047			233541-3	TORSION SPRING 7	1	PC.
048			168571-4	CONTROL CABLE	1	PC.
049			233540-5	TORSION SPRING 11	1	PC.
050			455313-8	THROTTLE LEVER	1	PC.
051			638714-7	LEAD UNIT	1	PC.
052			638713-9	LEAD UNIT	1	PC.
053			452071-7	CORRUGATE TUBE	1	PC.
054			266326-2	TAPPING SCREW 4X18	4	PC.
056			803K76-0	CAUTION LABEL	1	PC.
057			814E64-6	SERIAL NO. LABEL	1	PC.
058			911233-1	PAN HEAD SCREW M5X20	1	PC.
059			168478-4	HANGER	1	PC.
060	2		123499-3	* CLEANER COVER ASSEMBLY	1	PC.

Item No	Type	Sub	Part No	Description	Qty	Unit
		INC.		* INC. 61		
061			265791-2	THUMB SCREW M4X14	1	PC.
062			443171-4	AIR CLEANER ELEMENT	1	PC.
063			443169-1	AIR CLEANER ELEMENT	1	PC.
064			266618-9	H.S.BUTTON HEAD BOLT M5X60	2	PC.
065	2		123501-2	* CLEANER PLATE ASSEMBLY	1	PC.
		INC.		* INC. 66-68,223,224,231-234		
066			162346-3	SEPARATOR PLATE	1	PC.
067			213540-1	O RING 15	1	PC.
068			424316-3	CHECK VALVE	2	PC.
069			422099-9	PIPE	1	PC.
070			325665-0	JOINT PIPE	1	PC.
071			442153-3	CARBURETOR GASKET	1	PC.
072			266787-6	H.S.H.BOLT M5X18 WITH WR	2	PC.
073			451825-9	CLAMP	1	PC.
074			451729-5	INSULATOR	1	PC.
075			213547-7	O-RING 12	1	PC.
076			422109-2	BREATHER PIPE	1	PC.
077			345918-1	HOSE CLAMP	1	PC.
078			318745-9	ROCKER COVER OUTER	1	PC.
079			922222-1	HEX. SOCKET HEAD BOLT M5X16	4	PC.
080			453860-3	ROCKER COVER INNER	1	PC.
081			162304-9	ROCKER COVER GASKET	1	PC.
082			424302-4	PLUG CAP	1	PC.
083			324891-8	PLUG CAP SPRING	1	PC.
085			125554-7	ROCKER ARM ASSEMBLY	2	PC.
086			256200-2	PIN 5	1	PC.
087			256865-0	ROD 2.5	2	PC.
088			325668-4	SPRING RETAINER	2	PC.
089			451735-0	CLUTCH CASE	1	PC.
090			922228-9	H.S.H.BOLT M5X18 WITH WR	3	PC.
091			450569-8	SPACER	1	PC.
092			961052-5	RETAINING RING S-12	1	PC.
093			210111-5	BALL BEARING 6201LLU	1	PC.
094			962151-6	RETAINING RING R-32	1	PC.
095			165747-4	CLUTCH DRUM COMPLETE	1	PC.
096			266864-4	SHOULDER HEX. BOLT M6X25	2	PC.
097			267817-6	WASHER 8	2	PC.
098			126135-0	CLUTCH ASSEMBLY	1	PC.
		INC.		INC. 99.100		
099	2		161332-1	CLUTCH SHOE	2	PC.
100			231881-3	TENSION SPRING 7	1	PC.
101			267812-6	WASHER 6	2	PC.
102			264039-9	CONED DISK SPRING HEXNUT M8-13	1	PC.
103			318569-3	FLYWHEEL	1	PC.
104			444021-6	TUBE	1	PC.
105			266602-4	HEX. SOCKET HEAD BOLT M4X20	2	PC.
106			452049-0	SPACER	2	PC.
107			168559-4	IGNITION COIL	1	PC.
108			268238-5	PIN 5	1	PC.
109			125552-1	CAM GEAR ASSEMBLY	1	PC.
110			313169-4	CAM LIFTER	2	PC.
112			268239-3	PIN 4	1	PC.
113			162274-2	CAM GEAR COVER GASKET	1	PC.
114			318443-5	CAM GEAR COVER	1	PC.
115			922222-1	HEX. SOCKET HEAD BOLT M5X16	3	PC.
116			135478-9	CYLINDER BLOCK ASSEMBLY	1	PC.
		INC.		INC. 117,118,137		
117			922222-1	HEX. SOCKET HEAD BOLT M5X16	6	PC.
118			424201-0	CHECK VALVE	2	PC.
119			346331-6	MUFFLER GASKET	1	PC.
120			168554-4	EXHAUST MUFFLER	1	PC.
121			266440-4	HEX SOCKET HEAD BOLT M5X40	2	PC.

Item No	Type	Sub	Part No	Description	Qty	Unit
122			168483-1	PULLEY	1	PC.
123			451731-8	MUFFLER PLATE	1	PC.
124			922218-2	H.S.H.BOLT M5X14 WITH WR	1	PC.
125			638707-4	LEAD UNIT	1	PC.
126			638708-2	LEAD UNIT	1	PC.
128			922218-2	H.S.H.BOLT M5X14 WITH WR	1	PC.
129			453266-5	CYLINDER COVER	1	PC.
130			922218-2	H.S.H.BOLT M5X14 WITH WR	1	PC.
131			424082-2	BUFFER RUBBER	1	PC.
132			922211-6	HEX. SOCKET HEAD BOLT M5X12	1	PC.
133			922226-3	HEX. SOCKET HEAD BOLT M5X18	2	PC.
134			318249-1	PIPE HOLDER	1	PC.
135			318250-6	PIPE HOLDER	1	PC.
136			424083-0	BUFFER RUBBER	1	PC.
137			424200-2	SPACER	2	PC.
138			234108-0	COMPRESSION SPRING 9	2	PC.
140	2		326366-3	EXHAUST VALVE	1	PC.
143	2		326367-1	INTAKE VALVE	1	PC.
144			195145-8	PISTON RING SET	1	PC.
147			318441-9	PISTON	1	PC.
148			254040-2	WOODRUFF KEY 3	1	PC.
149	2		123774-7	CRANK SHAFT ASSEMBLY	1	PC.
		INC.		Item No. 150 - 152		
150	2		213769-9	OIL SEAL 10	1	PC.
151			267400-9	FLAT WASHER 23	1	PC.
152	2		213089-1	OIL SEAL 12	1	PC.
153			257781-9	PISTON PIN	1	PC.
154			233976-8	CLIP	2	PC.
155			162345-5	OIL CASE GASKET	1	PC.
156			346083-9	LEAD VALVE	1	PC.
157			318910-0	RETAINER PLATE	1	PC.
158			922112-8	HEX. SOCKET HEAD BOLT M4X10	1	PC.
159			318588-9	OIL CASE	1	PC.
160			922222-1	HEX. SOCKET HEAD BOLT M5X16	4	PC.
161			424344-8	DAMPER	1	PC.
162			346305-7	GASKET	1	PC.
163			266611-3	HEX BOLT M6X8	1	PC.
164			213548-5	O-RING 20	1	PC.
165			325665-0	JOINT PIPE	1	PC.
166			282020-8	* HOSE CLAMP (Type 2: A component of #125805-8)	1	PC.
167			325666-8	* OIL WEIGHT(Type 2: A component of #125805-8)	1	PC.
168	2		125805-8	* OIL TUBE ASSEMBLY	1	PC.
		INC.	424301-6	* OIL TUBE	1	PC.
		INC.		* Item No. 166, 167		
169			452047-4	OIL CAP	1	PC.
170			424343-0	GASKET	1	PC.
171			452048-2	OIL PIPE	1	PC.
172			922218-2	H.S.H.BOLT M5X14 WITH WR	2	PC.
173			125728-0	FUEL TANK CAP ASSEMBLY	1	PC.
175			168775-8	TUBE COMPLETE	1	PC.
176	1		282020-8	HOSE CLAMP	1	PC.
	2		326650-6	SPACER	1	PC.
177			163518-3	GASOLINE FILTER	1	PC.
178	1		454010-3	* FUEL TANK	1	PC.
	2		123419-7	* FUEL TANK ASSEMBLY	1	PC.
		INC.		* Item No. 173, 175-177		
179			424080-6	BUFFER RUBBER	2	PC.
180			424081-4	BUFFER RUBBER	1	PC.
181			451737-6	TANK GUARD	1	PC.
182			922218-2	H.S.H.BOLT M5X14 WITH WR	4	PC.
183			195308-6	RECOIL STARTER SET	1	PC.
		INC.		INC. 122,184,185,187-191, A11, 193		
184			424319-7	STARTER KNOB	1	PC.

Item No	Type	Sub	Part No	Description	Qty	Unit
185			424359-5	DAMPER	1	PC.
187			266585-8	TAPPING SCREW 5X12	1	PC.
188			325923-4	SWING ARM	1	PC.
189			451938-6	COLLAR	1	PC.
190			451937-8	REEL	1	PC.
191			232258-5	SPIRAL SPRING	1	PC.
193			451733-4	STARTER CASE	1	PC.
194			922223-9	H.S.H.BOLT M5X16 WITH WR	4	PC.
196			816565-0	MAKITA LOGO LABEL	1	PC.
197			168762-7	CARBURETOR	1	PC.
		INC.		INC. 198-207,209-214		
198			325922-6	SWIVEL	1	PC.
199			413140-9	WASHER	1	PC.
200	1		266581-6	PAN HEAD SCREW M3X8 WITH W	2	PC.
	2		WJ00096364	SCREW M3X8 WITH WASHER	2	PC.
201			257964-1	STOP RING E-3	1	PC.
202			213538-8	O RING 2	1	PC.
203			325985-2	JET	1	PC.
204			234183-6	CONICAL COMPRESSION SPRING 5-9	1	PC.
205			442155-9	PUMP GASKET	1	PC.
206	2		WJ00009599	PUMP DIAPHRAGM	1	PC.
207			141737-1	PUMP BODY	1	PC.
		INC.		INC. 208		
208			352021-1	INLET SCREEN	1	PC.
209			442154-1	METERING DIAPHRAGM GASKET	1	PC.
210			168620-7	METERING DIAPHRAGM	1	PC.
211			140438-8	AIR PURGE BODY	1	PC.
212			424314-7	PRIMER PUMP	1	PC.
213			346270-0	PRIMER PUMP COVER	1	PC.
214			266582-4	TAPPING SCREW 3X24	4	PC.
215			810455-9	CAUTION PLATE	1	PC.
216			800F73-7	INDICATION LABEL	1	PC.
217			941151-9	FLAT WASHER 6	1	PC.
218			816567-6	SERIAL NO LABEL	1	PC.
220			803K90-6	MODEL NO. LABEL F/EY2650H	1	PC.
222			819432-8	CAUTION TAG (10 LANGUAGES)	1	PC.
223			266427-6	TAPPING SCREW 4X12	1	PC.
224			452219-1	CHOKE PLATE	1	PC.
229			816566-8	GAS EMISSION APPROVAL LABEL (N/L/A)	1	PC.
231			452220-6	CHOKE LEVER	1	PC.
232			266007-8	TAPPING SCREW BIND PT 3X10	1	PC.
233			352020-3	SEPARATOR MESH	1	PC.
234			453865-3	SEPARATOR CASE	1	PC.
235			453862-9	OIL CASE PLATE	1	PC.
236	2		135668-4	SHORT BLOCK ASSEMBLY 25.4CC	1	PC.
		INC.		INC. 85-88,108-110,112-116,137,138, 140,143,144,147,149 - 154		
300			TF6116068B	KNOB	1	PC.
301			TF119F0840	HEX BOLT M8X40	1	PC.
302			TF411M0800	FLAT WASHER	1	PC.
303			TF120S0625	HEX.SOCKET HEAD BOLT (M6X25)	1	PC.
304			TF120S0510	HEX.SOCKET HEAD BOLT (M5X10)	1	PC.
305			TF2616001A	SLIDE HOLDER	1	PC.
306			TF6126008A	SLEEVE	1	PC.
307			TF3651008A	SLIDE HOLDER WASHER	1	PC.
308			TF6362070A	CUSHION TUBE	1	PC.
309	2		142602-7	TELESCOPIC PIPE COMPLETE	1	PC.
		INC.	TF3312328A	MAIN PIPE ASSY	1	PC.
		INC.		Item No. 56, 300-319		
310			TF6126009A	DRIVE BUSH	4	PC.
311			TF6126010A	BUSH HOLDER	4	PC.
312			TF5313012A	COMPRESSION SPRING 30	5	PC.
313			TF4117027A	DRIVE SHAFT	1	PC.

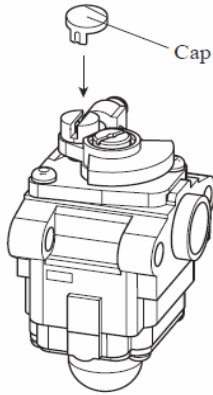
Item No	Type	Sub	Part No	Description	Qty	Unit
314			TF4613005B	SET COLLAR	1	PC.
315			TF290Q0506	HEX.SOCKET HEAD SET SCREW M5X6	1	PC.
316			TF6126010A	BUSH HOLDER	1	PC.
317			TF480J1200	SNAP RING (S-12)	1	PC.
318	1		TF3318145A	GUIDE PIPE ASSY (SILVER)	1	PC.
	2		TF3318145B	GUIDE PIPE ASSY (BLACK)	1	PC.
319			TF244F0408	+ TH TAP SCREW M4X8	1	PC.
320			286284-6	* CAP (Added)	1	PC.
ACCESSORIES			- See Catalogue or visit www.makita.ca for more accessories -			
A01			125516-5	BAND ASSEMBLY (SHOULDER HARNESS)	1	PC.
A02			195246-2	SAFETY GOGGLES	1	PC.
A03	4		197007-6	OIL SET (4 STROKE ENGINE OIL 80CC) - N/A as repair	1	PC.
A04			831304-7	ACCESSORY BAG	1	PC.
A05			782233-6	BOX DRIVER 10-16	1	PC.
A06			783020-6	- DRIVER	1	PC.
A07			783223-2	WRENCH 4	1	PC.
A08			165695-7	GUIDE BAR 10, 3/8" 50G	1	PC.
A09			452093-7	GUIDE BAR CASE F/10"	1	PC.
A10			196142-7	3/8" SAW CHAIN SET 50G 10"	1	PC.
A11			168534-0	SPARK PLUG (CMR4A)	1	PC.
A12			444023-2	STARTER ROPE 2.8DIA.X0.95M	1	PC.
A13			197680-2	ENGINE MAINTENANCE KIT F/EH026	1	PC.
	INC.			Item No.62, 63, 177, A11		

SERVICE CHANGES

1. Addition of Cap on Swivel

(TI#A3925)

Item No.	Description	Type 1	Type 2
320	Cap	-----	286284-6

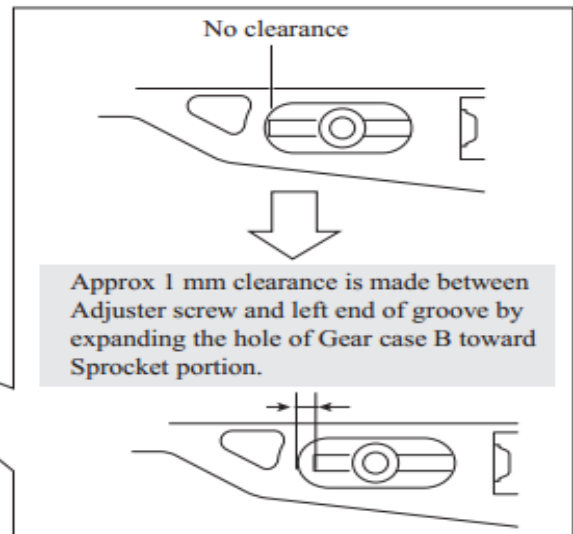
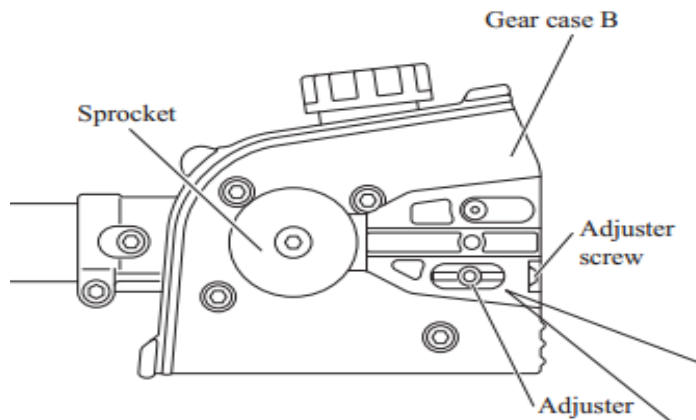


2. Change on Gear Case B

Item No.	Description	Type 1	Type 2
19	Pole Saw Head Complete	142615-8	143197-3
19	Gear Case B	XTM0000026	XTM0000027

(TI#A6575)

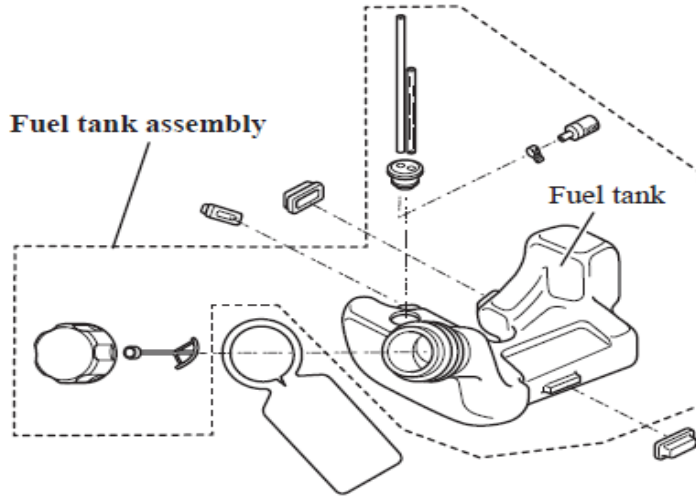
(TI#Y06873)



3. Changes on Fuel Tank

(TI#A7689)

Item No.	Description	Type 1	Type 2
178	Fuel Tank >> Fuel Tank Assembly	454010-3	123419-7
	Inc.	-----	Item No. 173, 175-177



4. Changes on Oil Tube

(TI#Y07151)

Item No.	Description	Type 1	Type 2
166	Hose Clamp	282020-8	Included in 125805-8
167	Oil Weight	325666-8	Included in 125805-8
168	Oil Tube Assembly	-----	125805-8
	Oil Tube	424301-6	Included in 125805-8

5. Changes on Cleaner Cover and Cleaner Plate

(TI#YB1277)

Item No.	Description	Type 1	Type 2
60	Cleaner Cover Assembly	126202-1	123499-3
65	Cleaner Plate Assembly	126198-6	123501-2

Cleaner plate assembly

The thickness of tabs is increased from 2mm to 4mm.

Cleaner cover assembly

These square holes are changed

